

Catalogue number: **GMP22-2P Range**



Electronic Overload Relay: 2CT Overcurrent Protection 0.3-22A

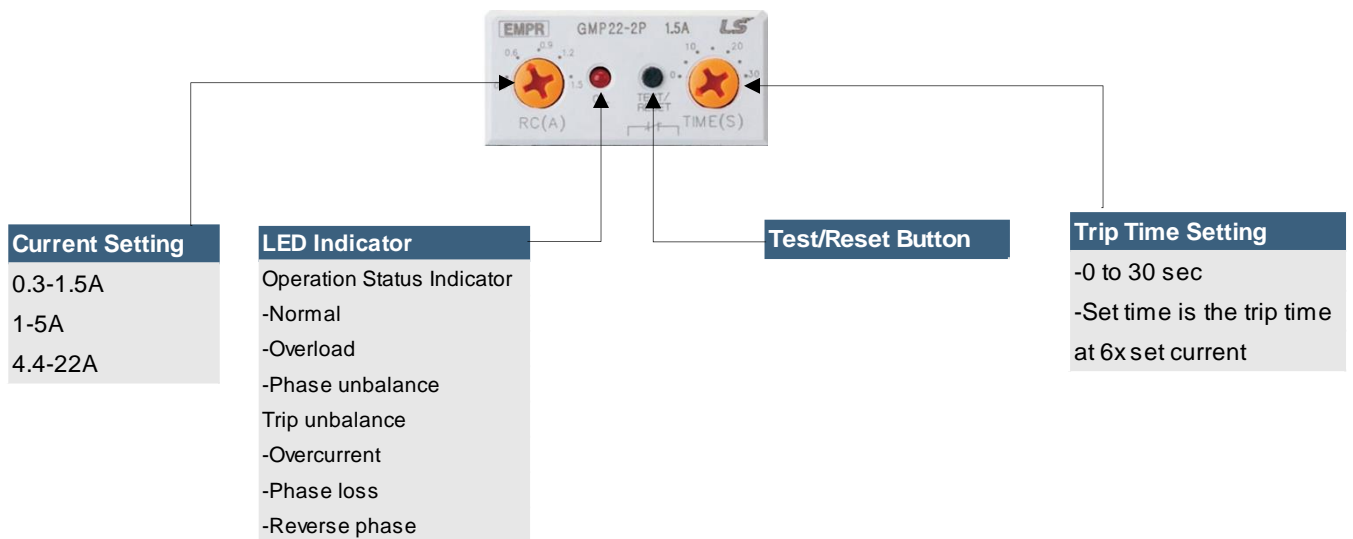


Electronic Overload relay

- Wide and adjustable current range
- Adjustable trip timing
- Compact size with 53mm
- 1 N/O+1N/C trip contacts
- Manual reset as standard

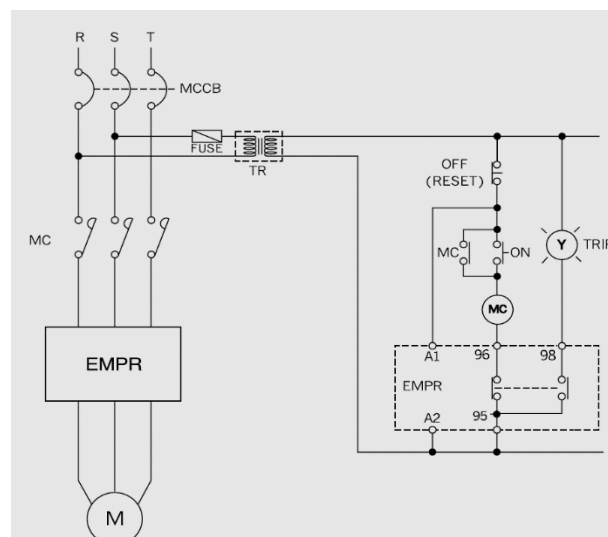
Generic photo only (actual product may change depending on configuration)

Part No.	Current Setting	Type
GMP22-2P 1.5A	0.3-1.5	Direct mount, No reverse phase protection, manual reset
GMP22-2P 5A	1-5	Direct mount, No reverse phase protection, manual reset
GMP22-2P 22A	4.4-22	Direct mount, No reverse phase protection, manual reset
GMP22-2PA 1.5A	0.3-1.5	Direct mount, No reverse phase protection, automatic reset
GMP22-2PA 5A	1-5	Direct mount, No reverse phase protection, automatic reset
GMP22-2PA 22A	4.4-22	Direct mount, No reverse phase protection, automatic reset



Specifications	
Manufacturer	LS Electric
Product range	Electronic Overload Relay
Application	Motor Protection for Overloads and Phase Failures
Number of CTs	2CT
Protection	Overcurrent, Phase failure, Stall
Current Setting Range (A)	0.3~1.5 1~5 4.4~22
Operating Time Characteristics	Inverse time characteristics
Time setting	Inverse time: 0~30sec Definite D-time: 0.2~60sec O-Time: 5sec(Fixed)
Tolerance	Current: ±5% Time: ±5%(or ±0.5sec)
Control Power	Voltage: AC 110V/220V(±10%) AC 100~260V Frequency: 50/60Hz
insulation Resistance	Min 100MΩ @ 500VDC
Surge Endurance	1.2x50μs 6kV
Fast Transient Burst	2.5kV/5min
Environment Operating Temperature	Operating Temp. -25~70°C Storage Temp. -30~80°C
Trip indicator	Humidity 30~90%RH (No freezing) Red LED
Mounting Type	Direct Mount to 3 Pole Contactor
Applied Contactor	MC9-MC22

Circuit Diagram



Catalogue number: **GMP22-2P Range**

Electronic Overload Relay: 2CT Overcurrent Protection 0.3-22A



GMP22-2P Dimensions

